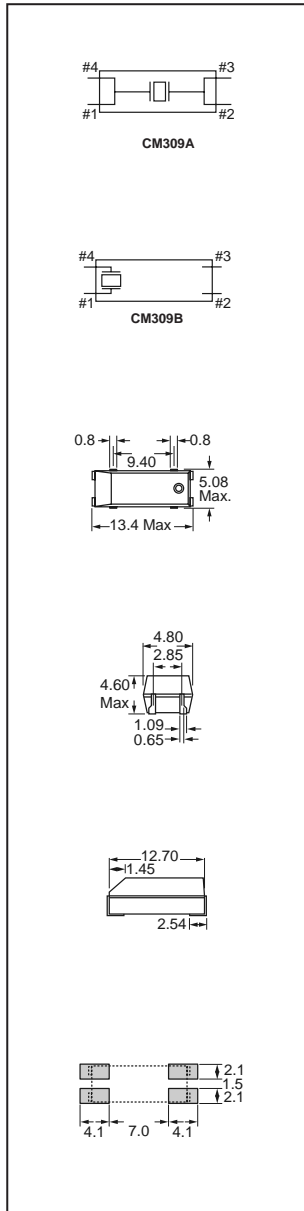


Specifications:

- Frequency Tolerance: ±30ppm
- Frequency Temperature Characteristics: ±50ppm (-10°C to +60°C)
- Operating Temperature Range: -40°C to +85°C
- Storage Temperature Range: -55°C to +125°C
- Load Capacitance: 18pF
- Shunt Capacitance: 7.0pF
- Drive Level: 50µW to 100µW
- Insulation Resistance: 500MΩ Min.
- Aging (first year): ±5ppm Max.

Equivalent Series Resistance (ESR, R₁)

| Frequency | ESR | Mode |
|------------------------------------|-----|-------------|
| 3.5MHz ≤ f _o < 4MHz | 200 | Fundamental |
| 4MHz ≤ f _o < 6MHz | 150 | |
| 6MHz ≤ f _o < 10MHz | 100 | |
| 10MHz ≤ f _o ≤ 32MHz | 50 | |
| 30MHz < f _o < 36MHz | 100 | 3rd OT |
| 36MHz ≤ f _o < 66.666MHz | 80 | |



| Freq. (MHz) | 309A Series | | 309B Series | | Cut Tape Price Each | | | Tape & Reel Pricing† 1,000 |
|-------------|-------------------|----------------------|-------------------|----------------------|---------------------|------|-----|----------------------------|
| | Digi-Key Part No. | Citizen Part No. | Digi-Key Part No. | Citizen Part No. | 1 | 10 | 50 | |
| 3.579545 | — | — | 300-4101-1-ND | CM309B3.579545MABJT | 1.51 | 1.30 | .98 | — |
| 3.6864 | — | — | 300-4102-1-ND | CM309B3.6864MABJT | 1.51 | 1.30 | .98 | 756.00 |
| 4.096 | 300-4004-1-ND | CM309A4.096MABJT | 300-4104-1-ND | CM309B4.096MABJT | 1.51 | 1.30 | .98 | 756.00 |
| 4.800 | 300-4005-1-ND | CM309A4.800MABJT | 300-4105-1-ND | CM309B4.800MABJT | 1.51 | 1.30 | .98 | 756.00 |
| 4.915 | 300-4006-1-ND | CM309A4.915MABJT | 300-4106-1-ND | CM309B4.915MABJT | 1.51 | 1.30 | .98 | — |
| 5.120 | 300-4007-1-ND | CM309A5.120MABJT | 300-4107-1-ND | CM309B5.120MABJT | 1.51 | 1.30 | .98 | 756.00 |
| 5.5296 | — | — | 300-4108-1-ND | CM309B5.5296MABJT | 1.51 | 1.30 | .98 | 756.00 |
| 6.000 | 300-4009-1-ND | CM309A6.000MABJT | 300-4109-1-ND | CM309B6.000MABJT | 1.51 | 1.30 | .98 | 756.00 |
| 6.144 | 300-4010-1-ND | CM309A6.144MABJT | 300-4110-1-ND | CM309B6.144MABJT | 1.51 | 1.30 | .98 | 756.00 |
| 7.3728 | — | — | 300-4111-1-ND | CM309B7.3728MABJT | 1.51 | 1.30 | .98 | — |
| 7.680 | 300-4012-1-ND | CM309A7.680MABJT | 300-4112-1-ND | CM309B7.680MABJT | 1.51 | 1.30 | .98 | 756.00 |
| 8.000 | 300-4013-1-ND | CM309A8.000MABJT | — | — | 1.51 | 1.30 | .98 | 756.00 |
| 8.000156 | 300-4014-1-ND | CM309A8.000156MABJT | 300-4114-1-ND | CM309B8.000156MABJT | 1.51 | 1.30 | .98 | 756.00 |
| 8.192 | 300-4015-1-ND | CM309A8.192MABJT | 300-4115-1-ND | CM309B8.192MABJT | 1.51 | 1.30 | .98 | 756.00 |
| 9.216 | 300-4016-1-ND | CM309A9.216MABJT | 300-4116-1-ND | CM309B9.216MABJT | 1.51 | 1.30 | .98 | 756.00 |
| 9.600 | — | — | 300-4117-1-ND | CM309B9.600MABJT | 1.51 | 1.30 | .98 | 756.00 |
| 9.8304 | 300-4018-1-ND | CM309A9.8304MABJT | 300-4118-1-ND | CM309B9.8304MABJT | 1.51 | 1.30 | .98 | 756.00 |
| 10.240 | 300-4020-1-ND | CM309A10.240MABJT | 300-4120-1-ND | CM309B10.240MABJT | 1.51 | 1.30 | .98 | 756.00 |
| 11.000 | 300-4021-1-ND | CM309A11.000MABJT | 300-4121-1-ND | CM309B11.000MABJT | 1.51 | 1.30 | .98 | 756.00 |
| 11.0592 | 300-4022-1-ND | CM309A11.0592MABJT | 300-4122-1-ND | CM309B11.0592MABJT | 1.51 | 1.30 | .98 | 756.00 |
| 11.2896 | 300-4023-1-ND | CM309A11.2896MABJT | 300-4123-1-ND | CM309B11.2896MABJT | 1.51 | 1.30 | .98 | 756.00 |
| 12.000 | 300-4024-1-ND | CM309A12.000MABJT | — | — | 1.51 | 1.30 | .98 | — |
| 12.288 | 300-4025-1-ND | CM309A12.288MABJT | 300-4125-1-ND | CM309B12.288MABJT | 1.51 | 1.30 | .98 | — |
| 12.352 | 300-4026-1-ND | CM309A12.352MABJT | 300-4126-1-ND | CM309B12.352MABJT | 1.51 | 1.30 | .98 | 756.00 |
| 12.500 | 300-4027-1-ND | CM309A12.500MABJT | 300-4127-1-ND | CM309B12.500MABJT | 1.51 | 1.30 | .98 | 756.00 |
| 13.500 | 300-4028-1-ND | CM309A13.500MABJT | — | — | 1.51 | 1.30 | .98 | 756.00 |
| 14.31818 | 300-4029-1-ND | CM309A14.31818MABJT | — | — | 1.51 | 1.30 | .98 | — |
| 14.7456 | 300-4030-1-ND | CM309A14.7456MABJT | — | — | 1.51 | 1.30 | .98 | 756.00 |
| 15.000 | 300-4031-1-ND | CM309A15.000MABJT | — | — | 1.51 | 1.30 | .98 | 756.00 |
| 15.360 | 300-4032-1-ND | CM309A15.360MABJT | 300-4132-1-ND | CM309B15.360MABJT | 1.51 | 1.30 | .98 | 756.00 |
| 16.000 | — | — | 300-4133-1-ND | CM309B16.000MABJT | 1.51 | 1.30 | .98 | 756.00 |
| 16.000312 | 300-4034-1-ND | CM309A16.000312MABJT | 300-4134-1-ND | CM309B16.000312MABJT | 1.51 | 1.30 | .98 | 756.00 |
| 16.257 | 300-4035-1-ND | CM309A16.257MABJT | 300-4135-1-ND | CM309B16.257MABJT | 1.51 | 1.30 | .98 | 756.00 |
| 16.384 | 300-4036-1-ND | CM309A16.384MABJT | — | — | 1.51 | 1.30 | .98 | 756.00 |
| 16.667 | 300-4037-1-ND | CM309A16.667MABJT | 300-4137-1-ND | CM309B16.667MABJT | 1.51 | 1.30 | .98 | 756.00 |
| 16.9344 | 300-4038-1-ND | CM309A16.9344MABJT | 300-4138-1-ND | CM309B16.9344MABJT | 1.51 | 1.30 | .98 | 756.00 |
| 17.734475 | 300-4039-1-ND | CM309A17.734475MABJT | 300-4139-1-ND | CM309B17.734475MABJT | 1.51 | 1.30 | .98 | — |
| 18.000 | 300-4040-1-ND | CM309A18.000MABJT | 300-4140-1-ND | CM309B18.000MABJT | 1.51 | 1.30 | .98 | 756.00 |
| 18.432 | — | — | 300-4141-1-ND | CM309B18.432MABJT | 1.51 | 1.30 | .98 | 756.00 |
| 18.869 | 300-4042-1-ND | CM309A18.869MABJT | 300-4142-1-ND | CM309B18.869MABJT | 1.51 | 1.30 | .98 | 756.00 |
| 19.6608 | 300-4043-1-ND | CM309A19.6608MABJT | — | — | 1.51 | 1.30 | .98 | — |
| 20.000 | 300-4044-1-ND | CM309A20.000MABJT | 300-4144-1-ND | CM309B20.000MABJT | 1.51 | 1.30 | .98 | 756.00 |
| 20.480 | 300-4045-1-ND | CM309A20.480MABJT | 300-4145-1-ND | CM309B20.480MABJT | 1.51 | 1.30 | .98 | 756.00 |
| 22.1184 | 300-4046-1-ND | CM309A22.1184MABJT | 300-4146-1-ND | CM309B22.1184MABJT | 1.51 | 1.30 | .98 | — |
| 24.000 | 300-4047-1-ND | CM309A24.000MABJT | 300-4147-1-ND | CM309B24.000MABJT | 1.51 | 1.30 | .98 | 756.00 |
| 24.576 | — | — | 300-4148-1-ND | CM309B24.576MABJT | 1.51 | 1.30 | .98 | 756.00 |
| 25.000 | 300-4049-1-ND | CM309A25.000MABJT | — | — | 1.51 | 1.30 | .98 | 756.00 |
| 25.175 | 300-4050-1-ND | CM309A25.175MABJT | 300-4150-1-ND | CM309B25.175MABJT | 1.51 | 1.30 | .98 | 756.00 |
| 27.000 | 300-4051-1-ND | CM309A27.000MABJT | 300-4151-1-ND | CM309B27.000MABJT | 1.51 | 1.30 | .98 | 756.00 |
| 28.000 | 300-4052-1-ND | CM309A28.000MABJT | 300-4152-1-ND | CM309B28.000MABJT | 1.51 | 1.30 | .98 | 756.00 |
| 28.322 | 300-4053-1-ND | CM309A28.322MABJT | 300-4153-1-ND | CM309B28.322MABJT | 1.51 | 1.30 | .98 | 756.00 |
| 28.63636 | 300-4054-1-ND | CM309A28.63636MABJT | 300-4154-1-ND | CM309B28.63636MABJT | 1.51 | 1.30 | .98 | 756.00 |
| 29.4912 | 300-4055-1-ND | CM309A29.4912MABJT | — | — | 1.51 | 1.30 | .98 | 756.00 |
| 30.000 | — | — | 300-4156-1-ND | CM309B30.000MABJT | 1.51 | 1.30 | .98 | — |
| 32.000 | 300-4057-1-ND | CM309A32.000MABJT | 300-4157-1-ND | CM309B32.000MABJT | 1.51 | 1.30 | .98 | 756.00 |
| 32.768 | 300-4058-1-ND | CM309A32.768MABJT | 300-4158-1-ND | CM309B32.768MABJT | 1.51 | 1.30 | .98 | 756.00 |
| 33.000 | 300-4059-1-ND | CM309A33.000MABJT | 300-4159-1-ND | CM309B33.000MABJT | 1.51 | 1.30 | .98 | 756.00 |
| 33.3333 | 300-4060-1-ND | CM309A33.3333MABJT | 300-4160-1-ND | CM309B33.3333MABJT | 1.51 | 1.30 | .98 | 756.00 |
| 33.8688 | 300-4061-1-ND | CM309A33.8688MABJT | 300-4161-1-ND | CM309B33.8688MABJT | 1.51 | 1.30 | .98 | 756.00 |
| 40.000 | 300-4063-1-ND | CM309A40.000MABJT | 300-4163-1-ND | CM309B40.000MABJT | 1.51 | 1.30 | .98 | 756.00 |
| 48.000 | 300-4064-1-ND | CM309A48.000MABJT | 300-4164-1-ND | CM309B48.000MABJT | 1.51 | 1.30 | .98 | 756.00 |
| 49.152 | 300-4065-1-ND | CM309A49.152MABJT | 300-4165-1-ND | CM309B49.152MABJT | 1.51 | 1.30 | .98 | 756.00 |
| 50.000 | 300-4066-1-ND | CM309A50.000MABJT | 300-4166-1-ND | CM309B50.000MABJT | 1.51 | 1.30 | .98 | 756.00 |
| 53.125 | 300-4067-1-ND | CM309A53.125MABJT | 300-4167-1-ND | CM309B53.125MABJT | 1.51 | 1.30 | .98 | 756.00 |
| 60.000 | 300-4068-1-ND | CM309A60.000MABJT | 300-4168-1-ND | CM309B60.000MABJT | 1.51 | 1.30 | .98 | 756.00 |
| 64.000 | 300-4069-1-ND | CM309A64.000MABJT | 300-4169-1-ND | CM309B64.000MABJT | 1.51 | 1.30 | .98 | 756.00 |
| 66.6666 | 300-4070-1-ND | CM309A66.6666MABJT | 300-4170-1-ND | CM309B66.6666MABJT | 1.51 | 1.30 | .98 | 756.00 |

† For Tape & Reel part number, change -1-ND to -2-ND.

