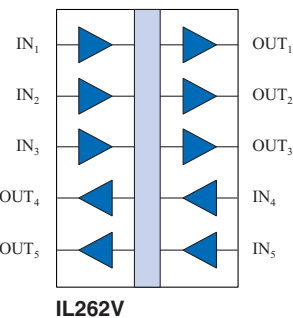
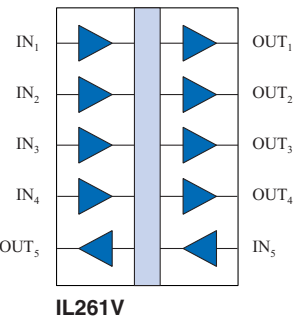
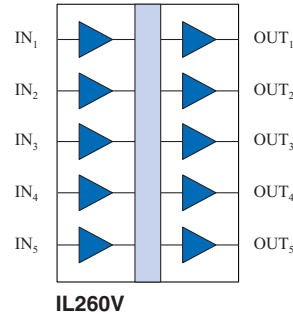
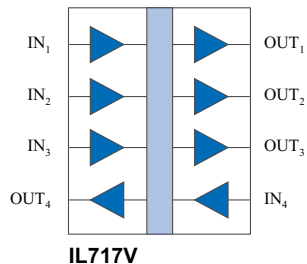
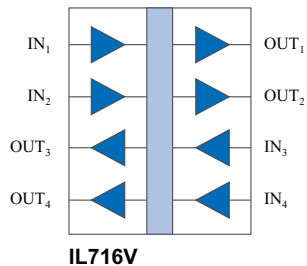
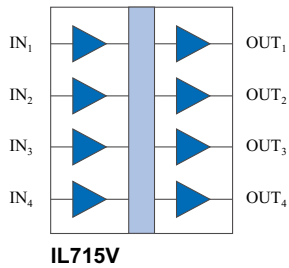
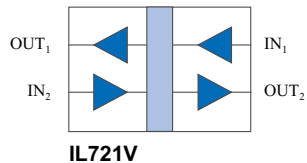
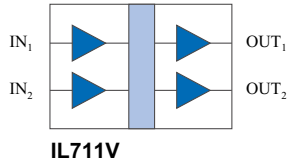


## High Isolation Voltage Digital Isolators

### Functional Diagrams



### Features

- 4000 V<sub>RMS</sub>/5660 V<sub>PK</sub> isolation voltage (1 minute; per UL1577)
- 1000 V<sub>RMS</sub>/1500 V<sub>DC</sub> high voltage endurance
- High Temperature: -40°C to +125°C
- 50 kV/μs typ.; 30 kV/μs min. common mode transient immunity
- No carrier or clock for low EMI emissions and susceptibility
- 1.2 mA/channel typical quiescent current
- 100 ps typical pulse jitter
- 2 ns channel-to-channel skew
- 10 ns typical propagation delay
- 44000 year barrier life
- Excellent magnetic immunity
- UL 1577 recognized; IEC 60747-5-5 (VDE 0884) certified
- True 8 mm creepage package

### Applications

- Board-to-board communication
- CANbus
- Peripheral interfaces
- Logic level shifting
- Equipment covered under IEC 61010-1 Edition 3
- 5 kV<sub>RMS</sub> rated IEC 60601-1 medical applications

### Description

NVE's IL200V/IL700V family of high isolation voltage digital isolators are CMOS devices manufactured with NVE's patented\* IsoLoop<sup>®</sup> spintronic Giant Magnetoresistive (GMR) technology.

IL200/IL700 isolators are inherently low in EMI emissions with no carrier or clocks.

A unique ceramic/polymer composite barrier provides excellent isolation and virtually unlimited barrier life.

The parts use NVE's unique JEDEC-compliant 16 pin package with True 8 mm creepage under IEC 60601.

## Absolute Maximum Ratings

Parameters	Symbol	Min.	Typ.	Max.	Units	Test Conditions
Storage Temperature	$T_S$	-55		150	°C	
Ambient Operating Temperature <sup>(1)</sup>	$T_A$	-40		125	°C	
Supply Voltage	$V_{DD1}, V_{DD2}$	-0.5		7	V	
Input Voltage	$V_I$	-0.5		$V_{DD} + 0.5$	V	
Output Voltage	$V_O$	-0.5		$V_{DD} + 0.5$	V	
Output Current Drive	$I_O$			10	mA	
Lead Solder Temperature				260	°C	10 sec.
ESD			2		kV	HBM

## Recommended Operating Conditions

Parameters	Symbol	Min.	Typ.	Max.	Units	Test Conditions
Ambient Operating Temperature	$T_A$	-40		125	°C	
Supply Voltage	$V_{DD1}, V_{DD2}$	3.0		5.5	V	
Logic High Input Voltage	$V_{IH}$	2.4		$V_{DD}$	V	
Logic Low Input Voltage	$V_{IL}$	0		0.8	V	
Input Signal Rise and Fall Times	$t_{IR}, t_{IF}$			1	µs	

## Insulation Specifications

Parameters	Symbol	Min.	Typ.	Max.	Units	Test Conditions
Creepage Distance (external)		8.03	8.3		mm	Per IEC 60601
Total Barrier Thickness (internal)		0.012	0.013		mm	
Leakage Current <sup>(5)</sup>			0.2		µA	240 $V_{RMS}$ , 60 Hz
Barrier Resistance <sup>(5)</sup>	$R_{IO}$		$>10^{14}$		Ω	500 V
Barrier Capacitance <sup>(5)</sup>	$C_{IO}$		2		pF	f = 1 MHz
Comparative Tracking Index	CTI	≥175			V	Per IEC 60112
High Voltage Endurance (Maximum Barrier Voltage for Indefinite Life)	AC	1000			$V_{RMS}$	At maximum operating temperature
	DC	1500			$V_{DC}$	
Barrier Life			44000		Years	100°C, 1000 $V_{RMS}$ , 60% CL activation energy

## Package Characteristics

Parameters	Symbol	Min.	Typ.	Max.	Units	Test Conditions
Thermal Resistance			28		°C/W	Thermocouple at center underside of package
Package Power Dissipation	$P_{PD}$			150	mW	f = 1 MHz, $V_{DD} = 5$ V

## Safety and Approvals

---

**IEC 60747-5-5 (VDE 0884)** (File Number 5016933-4880-0001)

- Working Voltage ( $V_{IORM}$ ) 600  $V_{RMS}$  (848  $V_{PK}$ ); basic insulation; pollution degree 2
- Transient overvoltage ( $V_{IOTM}$ ) and surge voltage ( $V_{IOSM}$ ) 4000  $V_{PK}$
- Each part tested at 1590  $V_{PK}$  for 1 second, 5 pC partial discharge limit
- Samples tested at 4000  $V_{PK}$  for 60 sec.; then 1358  $V_{PK}$  for 10 sec. with 5 pC partial discharge limit

**IEC 61010-1** (Edition 2; TUV Certificate Numbers N1502812; N1502812-101)

Reinforced Insulation; Pollution Degree II; Material Group III

Package	Working Voltage
Wide-body SOIC/True 8™	300 $V_{RMS}$

**UL 1577** (Component Recognition Program File Number E207481)

4000  $V_{RMS}$ /5660  $V_{PK}$  isolation voltage

Each part tested at 4800  $V_{RMS}$  (6800  $V_{PK}$ ) for 1 second; each lot sample tested at 4000  $V_{RMS}$  (5660  $V_{PK}$ ) for 1 minute

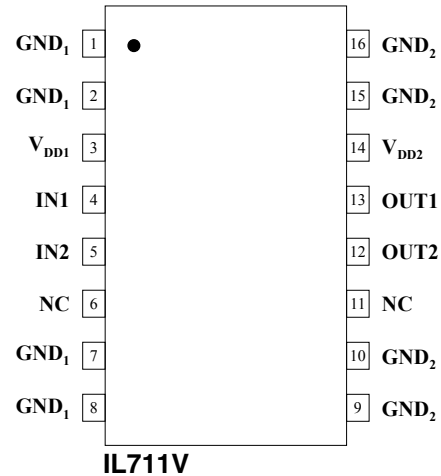
## Soldering Profile

---

Per JEDEC J-STD-020C, MSL 1

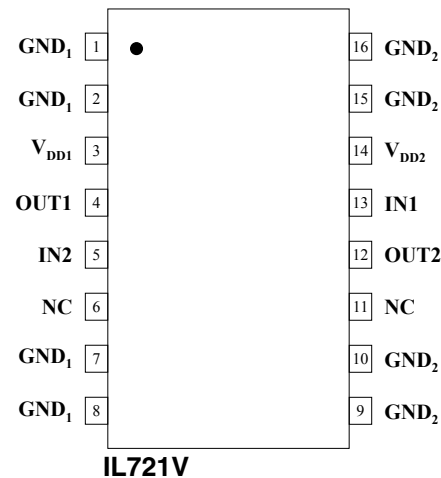
## IL711V Pin Connections

1		Ground return for $V_{DD1}$
2	GND <sub>1</sub>	(pins 1, 2, 7, and 8 internally connected)
3	$V_{DD1}$	Supply voltage
4	IN <sub>1</sub>	Data in, channel 1
5	IN <sub>2</sub>	Data in, channel 2
6	NC	No connection
7	GND <sub>1</sub>	Ground return for $V_{DD1}$
8		(pins 1, 2, 7, and 8 internally connected)
9	GND <sub>2</sub>	Ground return for $V_{DD2}$
10		(pins 9, 10, 15, and 16 internally connected)
11	NC	No connection
12	OUT <sub>2</sub>	Data out, channel 2
13	OUT <sub>1</sub>	Data out, channel 1
14	$V_{DD2}$	Supply voltage
15	GND <sub>2</sub>	Ground return for $V_{DD2}$
16		(pins 9, 10, 15, and 16 internally connected)



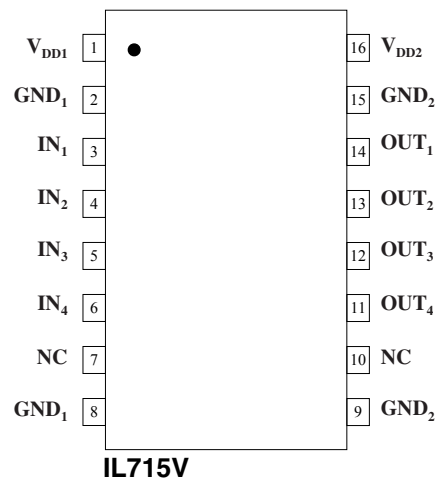
## IL721V Pin Connections

1		Ground return for $V_{DD1}$
2	GND <sub>1</sub>	(pins 1, 2, 7, and 8 internally connected)
3	$V_{DD1}$	Supply voltage
4	OUT <sub>1</sub>	Data out, channel 1
5	IN <sub>2</sub>	Data in, channel 2
6	NC	No connection
7	GND <sub>1</sub>	Ground return for $V_{DD1}$
8		(pins 1, 2, 7, and 8 internally connected)
9	GND <sub>2</sub>	Ground return for $V_{DD2}$
10		(pins 9, 10, 15, and 16 internally connected)
11	NC	No connection
12	OUT <sub>2</sub>	Data out, channel 2
13	IN <sub>1</sub>	Data in, channel 1
14	$V_{DD2}$	Supply voltage
15	GND <sub>2</sub>	Ground return for $V_{DD2}$
16		(pins 9, 10, 15, and 16 internally connected)



## IL715V Pin Connections

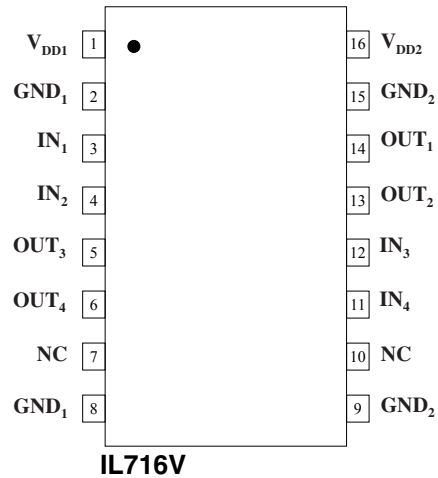
1	$V_{DD1}$	Supply voltage
2	GND <sub>1</sub>	Ground return for $V_{DD1}$ *
3	IN <sub>1</sub>	Data in, channel 1
4	IN <sub>2</sub>	Data in, channel 2
5	IN <sub>3</sub>	Data in, channel 3
6	IN <sub>4</sub>	Data in, channel 4
7	NC	No connection
8	GND <sub>1</sub>	Ground return for $V_{DD1}$ *
9	GND <sub>2</sub>	Ground return for $V_{DD2}$ *
10	NC	No connection
11	OUT <sub>4</sub>	Data out, channel 4
12	OUT <sub>3</sub>	Data out, channel 3
13	OUT <sub>2</sub>	Data out, channel 2
14	OUT <sub>1</sub>	Data out, channel 1
15	GND <sub>2</sub>	Ground return for $V_{DD2}$ *
16	$V_{DD2}$	Supply voltage



## IL716V Pin Connections

1	V <sub>DD1</sub>	Supply voltage
2	GND <sub>1</sub>	Ground Return for V <sub>DD1</sub> *
3	IN <sub>1</sub>	Data in, channel 1
4	IN <sub>2</sub>	Data in, channel 2
5	OUT <sub>3</sub>	Data out, channel 3
6	OUT <sub>4</sub>	Data out, channel 4
7	NC	No connection
8	GND <sub>1</sub>	Ground Return for V <sub>DD1</sub> *
9	GND <sub>2</sub>	Ground Return for V <sub>DD2</sub> *
10	NC	No connection
11	IN <sub>4</sub>	Data in, channel 4
12	IN <sub>3</sub>	Data in, channel 3
13	OUT <sub>2</sub>	Data out, channel 2
14	OUT <sub>1</sub>	Data out, channel 1
15	GND <sub>2</sub>	Ground Return for V <sub>DD2</sub> *
16	V <sub>DD2</sub>	Supply voltage

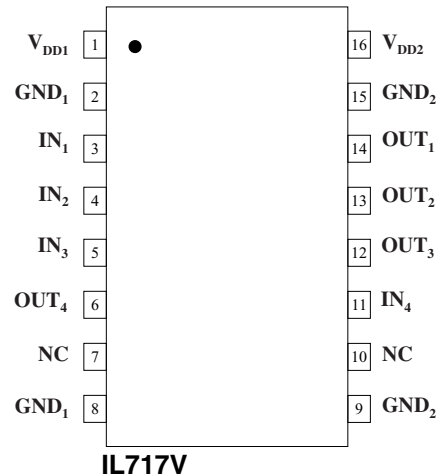
\*NOTE: Pins 2 and 8 are internally connected, as are pins 9 and 15.



## IL717V Pin Connections

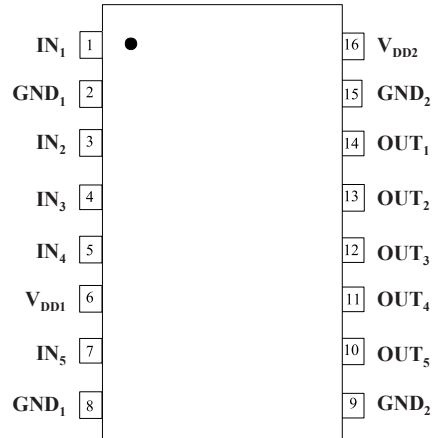
1	V <sub>DD1</sub>	Supply voltage
2	GND <sub>1</sub>	Ground return for V <sub>DD1</sub> *
3	IN <sub>1</sub>	Data in, channel 1
4	IN <sub>2</sub>	Data in, channel 2
5	IN <sub>3</sub>	Data in, channel 3
6	OUT <sub>4</sub>	Data out, channel 4
7	NC	No connection
8	GND <sub>1</sub>	Ground return for V <sub>DD1</sub> *
9	GND <sub>2</sub>	Ground return for V <sub>DD2</sub> *
10	NC	No connection
11	IN <sub>4</sub>	Data in, channel 4
12	OUT <sub>3</sub>	Data out, channel 3
13	OUT <sub>2</sub>	Data out, channel 2
14	OUT <sub>1</sub>	Data out, channel 1
15	GND <sub>2</sub>	Ground return for V <sub>DD2</sub> *
16	V <sub>DD2</sub>	Supply voltage

\*NOTE: Pins 2 and 8 are internally connected, as are pins 9 and 15.



## IL260V Pin Connections

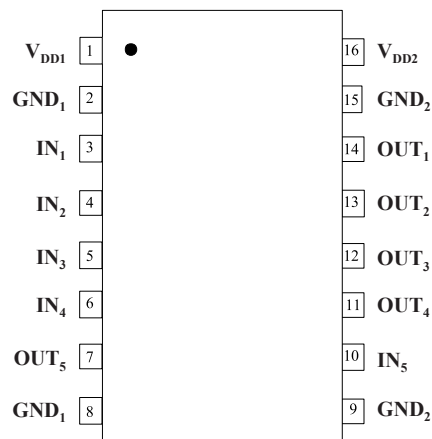
1	IN <sub>1</sub>	Input 1
2	GND <sub>1</sub>	Ground*
3	IN <sub>2</sub>	Input 2
4	IN <sub>3</sub>	Input 3
5	IN <sub>4</sub>	Input 4
6	V <sub>DD1</sub>	Supply Voltage 1
7	IN <sub>5</sub>	Input 5
8	GND <sub>1</sub>	Ground*
9	GND <sub>2</sub>	Ground*
10	OUT <sub>5</sub>	Output 5
11	OUT <sub>4</sub>	Output 4
12	OUT <sub>3</sub>	Output 3
13	OUT <sub>2</sub>	Output 2
14	OUT <sub>1</sub>	Output 1
15	GND <sub>2</sub>	Ground*
16	V <sub>DD2</sub>	Supply Voltage 2



IL260V

## IL261V Pin Connections

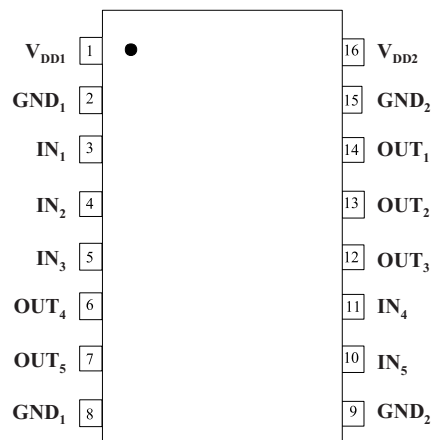
1	V <sub>DD1</sub>	Supply Voltage 1
2	GND <sub>1</sub>	Ground*
3	IN <sub>1</sub>	Input 1
4	IN <sub>2</sub>	Input 2
5	IN <sub>3</sub>	Input 3
6	IN <sub>4</sub>	Input 4
7	OUT <sub>5</sub>	Output 5
8	GND <sub>1</sub>	Ground*
9	GND <sub>2</sub>	Ground*
10	IN <sub>5</sub>	Input 5
11	OUT <sub>4</sub>	Output 4
12	OUT <sub>3</sub>	Output 3
13	OUT <sub>2</sub>	Output 2
14	OUT <sub>1</sub>	Output 1
15	GND <sub>2</sub>	Ground*
16	V <sub>DD2</sub>	Supply Voltage 2



IL261V

## IL262V Pin Connections

1	V <sub>DD1</sub>	Supply Voltage 1
2	GND <sub>1</sub>	Ground*
3	IN <sub>1</sub>	Input 1
4	IN <sub>2</sub>	Input 2
5	IN <sub>3</sub>	Input 3
6	OUT <sub>4</sub>	Output 4
7	OUT <sub>5</sub>	Output 5
8	GND <sub>1</sub>	Ground*
9	GND <sub>2</sub>	Ground*
10	IN <sub>5</sub>	Input 5
11	IN <sub>4</sub>	Input 4
12	OUT <sub>3</sub>	Output 3
13	OUT <sub>2</sub>	Output 2
14	OUT <sub>1</sub>	Output 1
15	GND <sub>2</sub>	Ground*
16	V <sub>DD2</sub>	Supply Voltage 2



IL262V

\*NOTE: Pins 2 and 8 are internally connected, as are pins 9 and 15.

3.3 Volt Electrical Specifications (T <sub>min</sub> to T <sub>max</sub> unless otherwise stated)						
Parameters	Symbol	Min.	Typ.	Max.	Units	Test Conditions
Input Quiescent Supply Current						
IL260V	I <sub>DD1</sub>		300	400	μA	
IL261V			1.2	1.75	mA	
IL262V			2.4	3.5	mA	
IL711V			8	10	μA	
IL721V			1.2	1.75	mA	
IL715V			16	20	μA	
IL716V			2.4	3.5	mA	
IL717V			1.2	1.75	mA	
Output Quiescent Supply Current						
IL260V	I <sub>DD2</sub>		6	8.75	mA	
IL261V			4.8	7	mA	
IL262V			4.8	7	mA	
IL711V			2.4	3.5	mA	
IL721V			1.2	1.75	mA	
IL715V			4.8	7	mA	
IL716V			2.4	3.5	mA	
IL717V			3.6	5.25	mA	
Logic Input Current	I <sub>I</sub>	-10		10	μA	
Logic High Output Voltage	V <sub>OH</sub>	$\frac{V_{DD} - 0.1}{0.8 \times V_{DD}}$	$\frac{V_{DD}}{0.9 \times V_{DD}}$		V	I <sub>O</sub> = -20 μA, V <sub>I</sub> = V <sub>IH</sub> I <sub>O</sub> = -4 mA, V <sub>I</sub> = V <sub>IH</sub>
Logic Low Output Voltage	V <sub>OL</sub>		0	0.1	V	I <sub>O</sub> = 20 μA, V <sub>I</sub> = V <sub>IL</sub> I <sub>O</sub> = 4 mA, V <sub>I</sub> = V <sub>IL</sub>

Switching Specifications (V <sub>DD</sub> = 3.3 V)						
Maximum Data Rate		100	110		Mbps	C <sub>L</sub> = 15 pF
Pulse Width <sup>(7)</sup>	PW	10	7.5		ns	50% Points, V <sub>O</sub>
Propagation Delay Input to Output (High to Low)	t <sub>PHL</sub>		12	18	ns	C <sub>L</sub> = 15 pF
Propagation Delay Input to Output (Low to High)	t <sub>PLH</sub>		12	18	ns	C <sub>L</sub> = 15 pF
Pulse Width Distortion <sup>(2)</sup>	PWD		2	3	ns	C <sub>L</sub> = 15 pF
Propagation Delay Skew <sup>(3)</sup>	t <sub>PSK</sub>		4	6	ns	C <sub>L</sub> = 15 pF
Output Rise Time (10%–90%)	t <sub>R</sub>		2	4	ns	C <sub>L</sub> = 15 pF
Output Fall Time (10%–90%)	t <sub>F</sub>		2	4	ns	C <sub>L</sub> = 15 pF
Common Mode Transient Immunity (Output Logic High or Logic Low) <sup>(4)</sup>	CM <sub>H</sub>  ,  CM <sub>L</sub>	30	50		kV/μs	V <sub>CM</sub> = 1500 V <sub>DC</sub> t <sub>TRANSIENT</sub> = 25 ns
Channel-to-Channel Skew	t <sub>CSK</sub>		2	3	ns	C <sub>L</sub> = 15 pF
Dynamic Power Consumption <sup>(6)</sup>			140	240	μA/Mbps	per channel

Magnetic Field Immunity <sup>(8)</sup> (V <sub>DD2</sub> = 3V, 3V < V <sub>DD1</sub> < 5.5V)						
Power Frequency Magnetic Immunity	H <sub>PF</sub>	1000	1500		A/m	50Hz/60Hz
Pulse Magnetic Field Immunity	H <sub>PM</sub>	1800	2000		A/m	t <sub>p</sub> = 8μs
Damped Oscillatory Magnetic Field	H <sub>OSC</sub>	1800	2000		A/m	0.1Hz – 1MHz
Cross-axis Immunity Multiplier <sup>(9)</sup>	K <sub>X</sub>		2.5			

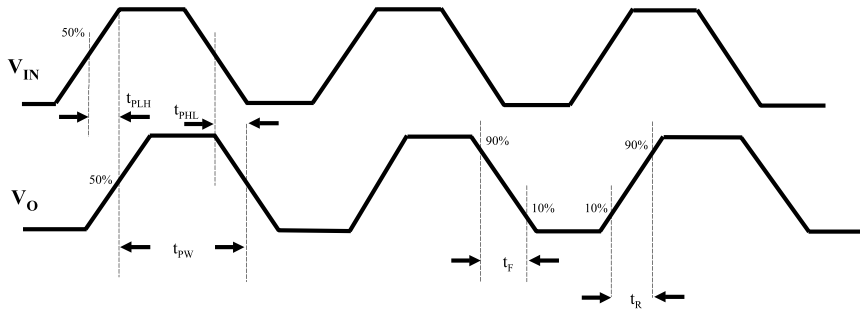
5 Volt Electrical Specifications ( $T_{min}$ to $T_{max}$ unless otherwise stated)						
Parameters	Symbol	Min.	Typ.	Max.	Units	Test Conditions
Input Quiescent Supply Current						
IL260V	$I_{DD1}$		350	500	$\mu$ A	
IL261V			1.8	2.5	mA	
IL262V			3.6	5	mA	
IL711V			10	15	$\mu$ A	
IL721V			1.8	2.5	mA	
IL715V			20	15	$\mu$ A	
IL716V			3.6	5	mA	
IL717V			1.8	2.5	mA	
Output Quiescent Supply Current						
IL260V	$I_{DD2}$		9	12.5	mA	
IL261V			7.2	10	mA	
IL262V			7.2	10	mA	
IL711V			3.6	5	mA	
IL721V			1.8	2.5	mA	
IL715V			3.6	5	mA	
IL716V			3.6	5	mA	
IL717V			5.4	7.5	mA	
Logic Input Current	$I_I$	-10		10	$\mu$ A	
Logic High Output Voltage	$V_{OH}$	$V_{DD} - 0.1$	$V_{DD}$		V	$I_O = -20 \mu$ A, $V_I = V_{IH}$
		$0.8 \times V_{DD}$	$0.9 \times V_{DD}$			$I_O = -4 \text{ mA}$ , $V_I = V_{IH}$
Logic Low Output Voltage	$V_{OL}$		0	0.1	V	$I_O = 20 \mu$ A, $V_I = V_{IL}$
			0.5	0.8		$I_O = 4 \text{ mA}$ , $V_I = V_{IL}$

Switching Specifications ( $V_{DD} = 5 \text{ V}$ )						
Maximum Data Rate		100	110		Mbps	$C_L = 15 \text{ pF}$
Pulse Width <sup>(7)</sup>	PW	10	7.5		ns	50% Points, $V_O$
Propagation Delay Input to Output (High to Low)	$t_{PHL}$		10	15	ns	$C_L = 15 \text{ pF}$
Propagation Delay Input to Output (Low to High)	$t_{PLH}$		10	15	ns	$C_L = 15 \text{ pF}$
Pulse Width Distortion <sup>(2)</sup>	PWD		2	3	ns	$C_L = 15 \text{ pF}$
Pulse Jitter <sup>(10)</sup>	$t_j$		100		ps	$C_L = 15 \text{ pF}$
Propagation Delay Skew <sup>(3)</sup>	$t_{PSK}$		4	6	ns	$C_L = 15 \text{ pF}$
Output Rise Time (10%–90%)	$t_R$		1	3	ns	$C_L = 15 \text{ pF}$
Output Fall Time (10%–90%)	$t_F$		1	3	ns	$C_L = 15 \text{ pF}$
Common Mode Transient Immunity (Output Logic High or Logic Low) <sup>(4)</sup>	$ CM_H ,  CM_L $	30	50		kV/ $\mu$ s	$V_{CM} = 1500 \text{ V}_{DC}$ $t_{TRANSIENT} = 25 \text{ ns}$
Channel to Channel Skew	$t_{CSK}$		2	3	ns	$C_L = 15 \text{ pF}$
Dynamic Power Consumption <sup>(6)</sup>			200	340	$\mu$ A/Mbps	per channel



Magnetic Field Immunity <sup>(8)</sup> ( $V_{DD2} = 5V, 3V < V_{DD1} < 5.5V$ )					
Power Frequency Magnetic Immunity	$H_{PF}$	2800	3500	A/m	50Hz/60Hz
Pulse Magnetic Field Immunity	$H_{PM}$	4000	4500	A/m	$t_p = 8\mu s$
Damped Oscillatory Magnetic Field	$H_{OSC}$	4000	4500	A/m	0.1Hz – 1MHz
Cross-axis Immunity Multiplier <sup>(9)</sup>	$K_X$		2.5		

**Timing Diagram**



**Legend**

$t_{PLH}$	Propagation Delay, Low to High
$t_{PHL}$	Propagation Delay, High to Low
$t_{PW}$	Minimum Pulse Width
$t_R$	Rise Time
$t_F$	Fall Time

**Notes (apply to both 3.3 V and 5 V specifications):**

1. Absolute maximum ambient operating temperature means the device will not be damaged if operated under these conditions. It does not guarantee performance.
2. PWD is defined as  $|t_{PHL} - t_{PLH}|$ . %PWD is equal to PWD divided by pulse width.
3.  $t_{PSK}$  is the magnitude of the worst-case difference in  $t_{PHL}$  and/or  $t_{PLH}$  between devices at 25°C.
4.  $CM_H$  is the maximum common mode voltage slew rate that can be sustained while maintaining  $V_o > 0.8 V_{DD2}$ .  $CM_L$  is the maximum common mode input voltage that can be sustained while maintaining  $V_o < 0.8 V$ . The common mode voltage slew rates apply to both rising and falling common mode voltage edges.
5. Device is considered a two terminal device: pins 1–4 shorted and pins 5–8 shorted.
6. Dynamic power consumption is calculated per channel and is supplied by the channel’s input side power supply.
7. Minimum pulse width is the minimum value at which specified PWD is guaranteed.
8. The relevant test and measurement methods are given in the Electromagnetic Compatibility section on p. 6.
9. External magnetic field immunity is improved by this factor if the field direction is “end-to-end” rather than to “pin-to-pin” (see diagram on p. 6).
10. 64k-bit pseudo-random binary signal (PRBS) NRZ bit pattern with no more than five consecutive 1s or 0s; 800 ps transition time.

## Application Information

### Electrostatic Discharge Sensitivity

This product has been tested for electrostatic sensitivity to the limits stated in the specifications. However, NVE recommends that all integrated circuits be handled with appropriate care to avoid damage. Damage caused by inappropriate handling or storage could range from performance degradation to complete failure.

### Electromagnetic Compatibility

IsoLoop Isolators have the lowest EMC footprint of any isolation technology. IsoLoop Isolators' Wheatstone bridge configuration and differential magnetic field signaling ensure excellent EMC performance against all relevant standards.

These isolators are fully compliant with generic EMC standards EN50081, EN50082-1 and the umbrella line-voltage standard for Information Technology Equipment (ITE) EN61000. NVE has completed compliance tests in the categories below:

EN50081-1

Residential, Commercial & Light Industrial  
Methods EN55022, EN55014

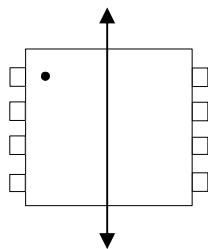
EN50082-2: Industrial Environment

Methods EN61000-4-2 (ESD), EN61000-4-3 (Electromagnetic Field Immunity), EN61000-4-4 (Electrical Transient Immunity), EN61000-4-6 (RFI Immunity), EN61000-4-8 (Power Frequency Magnetic Field Immunity), EN61000-4-9 (Pulsed Magnetic Field), EN61000-4-10 (Damped Oscillatory Magnetic Field)

ENV50204

Radiated Field from Digital Telephones (Immunity Test)

Immunity to external magnetic fields is even higher if the field direction is "end-to-end" rather than to "pin-to-pin" as shown in the diagram below:



Cross-axis Field Direction

### Dynamic Power Consumption

IsoLoop Isolators achieve their low power consumption from the way they transmit data across the isolation barrier. By detecting the edge transitions of the input logic signal and converting these to narrow current pulses, a magnetic field is created around the GMR Wheatstone bridge. Depending on the direction of the magnetic field, the bridge causes the output comparator to switch following the input logic signal. Since the current pulses are narrow, about 2.5 ns, the power consumption is independent of mark-to-space ratio and solely dependent on frequency. This has obvious advantages over optocouplers, which have power consumption heavily dependent on mark-to-space ratio.

### Power Supply Decoupling

Both power supplies to these devices should be decoupled with low-ESR 47 nF ceramic capacitors. Ground planes for both GND<sub>1</sub> and GND<sub>2</sub> are highly recommended for data rates above 10 Mbps. Capacitors must be located as close as possible to the V<sub>DD</sub> pins.

### Maintaining Creepage

Creepage distances are often critical in isolated circuits. In addition to meeting JEDEC standards, NVE isolator packages have unique creepage specifications. Standard pad libraries often extend under the package, compromising creepage and clearance. Similarly, ground planes, if used, should be spaced to avoid compromising clearance. The package drawing and recommended pad layout are included in this datasheet.

### Signal Status on Start-up and Shut Down

To minimize power dissipation, input signals are differentiated and then latched on the output side of the isolation barrier to reconstruct the signal. This could result in an ambiguous output state depending on power up, shutdown and power loss sequencing. Unless the circuit connected to the isolator performs its own power-on reset (POR), a start-up initialization circuit should be considered. Initialization consists of toggling the input either high then low, or low then high.

In CAN applications, the IL721V should be used with CAN transceivers with Dominant Timeout functions for seamless POR. Most CAN transceivers have Dominant Timeout options. Examples include NXP's TJA 1050 and TJA 1040 transceivers.

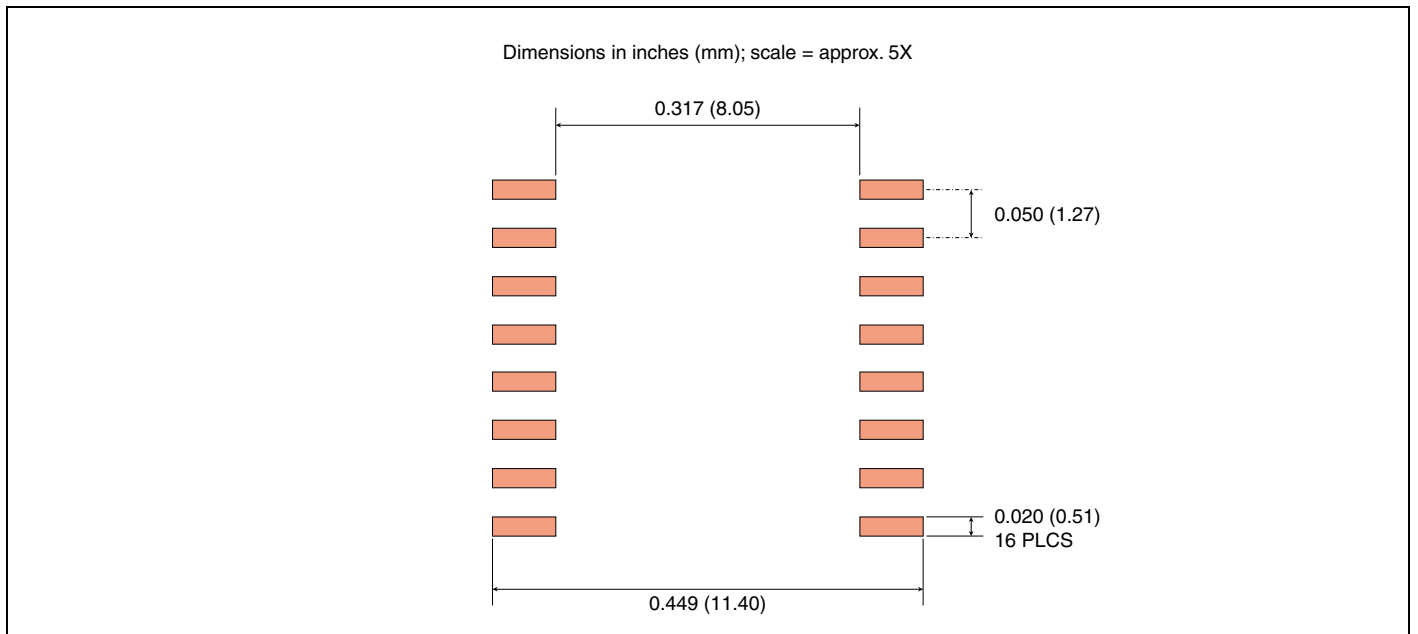
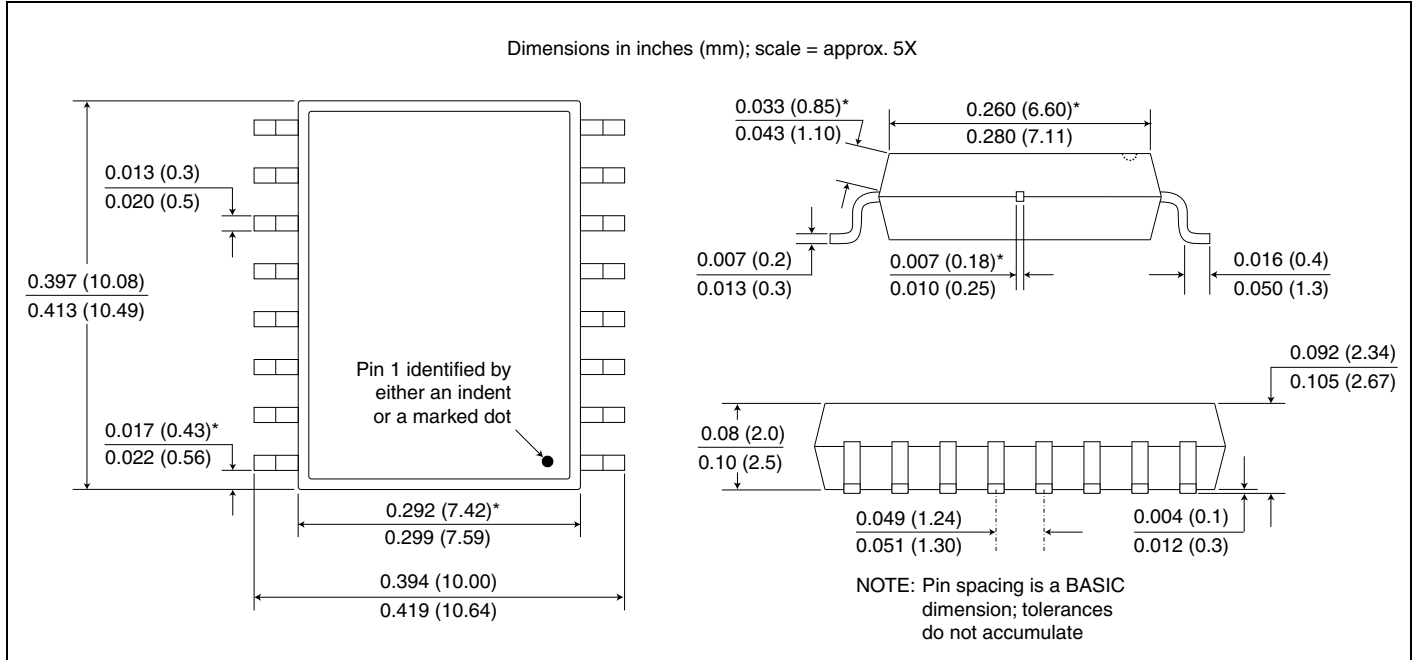
### IEC 60601-1 Compliance

IEC 60601 specifies isolator creepage for medical safety, and is also used for demanding non-medical applications. Requirements are summarized as follows:

		Working Voltage (V <sub>RMS</sub> )	
		125	250
Creepage (mm)	Insulation	3.0	4.0
	Single	6.0	8.0
Dielectric strength	Double	2000	2500
	Single	3000	4000

With 4000 V isolation and true 8 millimeter creepage, V-Series Isolators allow IEC 60601-1 compliance for 120V and 220/240V applications.

**True 8™ (8 mm creepage) 16-pin SOIC Package**



**Ordering Information**

**IL 711 V E TR13**

- ➔ **Bulk Packaging**  
Blank = Tube  
TR7 = 7" Tape and Reel  
TR13 = 13" Tape and Reel
- ➔ **Package**  
E = RoHS Compliant
- ➔ **Grade**  
V = High Isolation Voltage
- ➔ **Base Part Number**  
260 = 5 Drive Channels  
  
261 = 4 Drive Channels,  
1 Receive Channel  
  
262 = 3 Drive Channels,  
2 Receive Channel  
  
711 = 2 Transmit Channels  
  
721 = 1 Transmit Channel  
1 Receive Channel  
  
715 = 4 Transmit Channels  
  
716 = 2 Transmit Channels  
2 Receive Channels  
  
717 = 3 Transmit Channels  
1 Receive Channel
- ➔ **Product Family**  
IL = Isolators



**ISB-DS-001-IL700V-C**  
**November 2013**

**Changes**

- IEC 60747-5-5 (VDE 0884) certification.
- Added IEC 60601 compliance table.
- Upgraded from MSL 2 to MSL 1.

**ISB-DS-001-IL700V-B**  
**September 2013**

**Changes**

- Added five-channel part types (IL260V/IL261V/IL262V).
- UL 1577 recognized.

**ISB-DS-001-IL700V-A**  
**August 2013**

**Changes**

- Added four-channel part types (IL715V/IL716V/IL717V)
- Tightened quiescent current specifications.

**ISB-DS-001-IL711/21V-PRELIM**  
**June 2013**

**Changes**

- Increased transient immunity specifications based on additional data.

**ISB-DS-001-IL711/21V-PRELIM**  
**May 2013**

**Changes**

- Increased transient immunity specifications based on additional data.
- Defined IL711V and IL721V (V-Series high isolation voltage).
- Updated package drawings.
- Added recommended solder pad layouts.

## **Datasheet Limitations**

The information and data provided in datasheets shall define the specification of the product as agreed between NVE and its customer, unless NVE and customer have explicitly agreed otherwise in writing. All specifications are based on NVE test protocols. In no event however, shall an agreement be valid in which the NVE product is deemed to offer functions and qualities beyond those described in the datasheet.

## **Limited Warranty and Liability**

Information in this document is believed to be accurate and reliable. However, NVE does not give any representations or warranties, expressed or implied, as to the accuracy or completeness of such information and shall have no liability for the consequences of use of such information.

In no event shall NVE be liable for any indirect, incidental, punitive, special or consequential damages (including, without limitation, lost profits, lost savings, business interruption, costs related to the removal or replacement of any products or rework charges) whether or not such damages are based on tort (including negligence), warranty, breach of contract or any other legal theory.

## **Right to Make Changes**

NVE reserves the right to make changes to information published in this document including, without limitation, specifications and product descriptions at any time and without notice. This document supersedes and replaces all information supplied prior to its publication.

## **Use in Life-Critical or Safety-Critical Applications**

Unless NVE and a customer explicitly agree otherwise in writing, NVE products are not designed, authorized or warranted to be suitable for use in life support, life-critical or safety-critical devices or equipment. NVE accepts no liability for inclusion or use of NVE products in such applications and such inclusion or use is at the customer's own risk. Should the customer use NVE products for such application whether authorized by NVE or not, the customer shall indemnify and hold NVE harmless against all claims and damages.

## **Applications**

Applications described in this datasheet are illustrative only. NVE makes no representation or warranty that such applications will be suitable for the specified use without further testing or modification.

Customers are responsible for the design and operation of their applications and products using NVE products, and NVE accepts no liability for any assistance with applications or customer product design. It is customer's sole responsibility to determine whether the NVE product is suitable and fit for the customer's applications and products planned, as well as for the planned application and use of customer's third party customers. Customers should provide appropriate design and operating safeguards to minimize the risks associated with their applications and products.

NVE does not accept any liability related to any default, damage, costs or problem which is based on any weakness or default in the customer's applications or products, or the application or use by customer's third party customers. The customer is responsible for all necessary testing for the customer's applications and products using NVE products in order to avoid a default of the applications and the products or of the application or use by customer's third party customers. NVE accepts no liability in this respect.

## **Limiting Values**

Stress above one or more limiting values (as defined in the Absolute Maximum Ratings System of IEC 60134) will cause permanent damage to the device. Limiting values are stress ratings only and operation of the device at these or any other conditions above those given in the recommended operating conditions of the datasheet is not warranted. Constant or repeated exposure to limiting values will permanently and irreversibly affect the quality and reliability of the device.

## **Terms and Conditions of Sale**

In case an individual agreement is concluded only the terms and conditions of the respective agreement shall apply. NVE hereby expressly objects to applying the customer's general terms and conditions with regard to the purchase of NVE products by customer.

## **No Offer to Sell or License**

Nothing in this document may be interpreted or construed as an offer to sell products that is open for acceptance or the grant, conveyance or implication of any license under any copyrights, patents or other industrial or intellectual property rights.

## **Export Control**

This document as well as the items described herein may be subject to export control regulations. Export might require a prior authorization from national authorities.

## **Automotive Qualified Products**

Unless the datasheet expressly states that a specific NVE product is automotive qualified, the product is not suitable for automotive use. It is neither qualified nor tested in accordance with automotive testing or application requirements. NVE accepts no liability for inclusion or use of non-automotive qualified products in automotive equipment or applications.

In the event that customer uses the product for design-in and use in automotive applications to automotive specifications and standards, customer (a) shall use the product without NVE's warranty of the product for such automotive applications, use and specifications, and (b) whenever customer uses the product for automotive applications beyond NVE's specifications such use shall be solely at customer's own risk, and (c) customer fully indemnifies NVE for any liability, damages or failed product claims resulting from customer design and use of the product for automotive applications beyond NVE's standard warranty and NVE's product specifications.

An ISO 9001 Certified Company

NVE Corporation  
11409 Valley View Road  
Eden Prairie, MN 55344-3617 USA  
Telephone: (952) 829-9217  
Fax: (952) 829-9189  
[www.nve.com](http://www.nve.com)  
e-mail: [iso-info@nve.com](mailto:iso-info@nve.com)

©NVE Corporation  
All rights are reserved. Reproduction in whole or in part is prohibited without the prior written consent of the copyright owner.

ISB-DS-001-IL700V-C

*November 2013*