

LP-2.5, LP-3.5

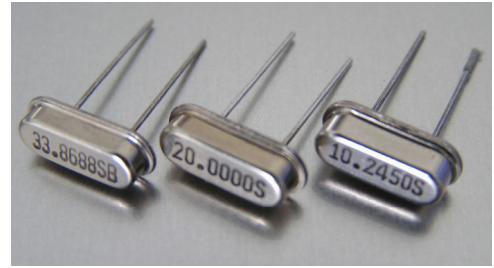


Applications

Video camera, Audio Equipment, Cordless Telephones,

Features

Dimensions (11.35x4.8xH)
 Industry Standard Package
 Leadless Type · Resistance Sealed
 Tight Tolerance and Stability
 RoHS Compliant



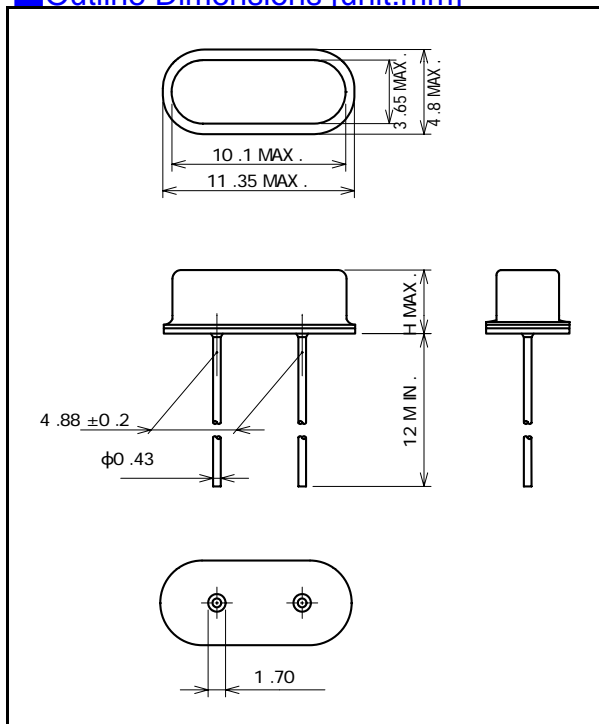
Specifications

Type	LP-2.5, LP-3.5	
Nominal frequency range	3.500~40.000MHz	30.000~80.000MHz
Crystal cut	Fundamental [AT-cut]	3rd overtone [AT-cut]
Storage temperature range	-40~+90°C	
Operating temperature range	-10~+70°C(-40~+85°C)	
Frequency temperature characteristics (Ref. to +25°C)	±50×10 ⁻⁶	
Frequency tolerance(at +25°C)	±50×10 ⁻⁶	
Equivalent series resistance	Please refer to the following ESR Table	
Load capacitance	series,10pF,12pF,16pF	
Shunt capacitance	5pF max.	
Level of drive	10μW(100μW max.)	

Please consult with us for more details. sales@siward.com.tw

Package quantity : 1,000pcs max./reel.

Outline Dimensions [unit:mm]



Maximum marking length		Marking	HOLDER	
line1	line2		LP-2.5	LP-3.5
10	9	Laser	2.5	2.5
9	-	INK	3.5	3.5

ESR Table

Frequency[MHz]			ESR[Ω]
Fundamental			
3.500	~ 3.999	150	
4.000	~ 4.999	120	
5.000	~ 5.999	100	
6.000	~ 8.999	80	
9.000	~ 9.999	60	
10.000	~ 12.999	50	
13.000	~ 18.999	40	
19.000	~ 40.000	30	
3rd overtone		ESR[Ω]	
30.000	~ 44.999	80	
45.000	~ 59.999	70	
60.000	~ 80.000	60	