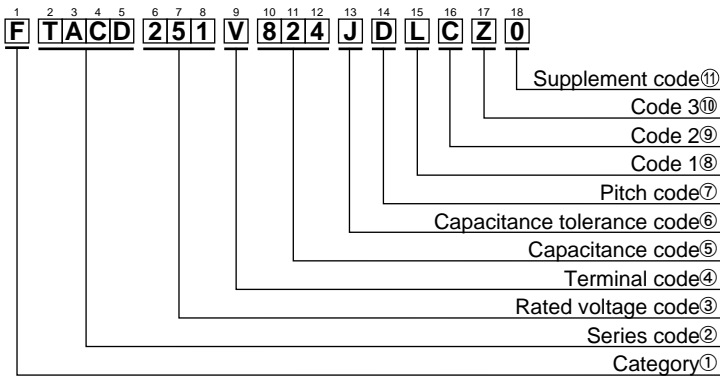


Global code system

The current parts numbering system is changed to new system for global coding.
Your cooperation will be very much appreciated.

◆Film Capacitors



①Category

Code	Contents
F	Film Capacitors

②Series code

Code	Series	Code	Series
TACE	TACE	DADC	DADC
TACD	TACD	DLDA	DLDA
TACC	TACC	DFDD	DFDD
TACB	TACB		
HACE	HACE		
HACD	HACD		
HACB	HACB		

③Rated voltage code

significant digit (two columns)+index (one column)

Example

Code	Rated Voltage	Code	Rated Voltage
350	35V _{dc}	3B1	315V _{dc}
631	630V _{dc}	1C2	1250V _{dc}
402	4000V _{dc}	3B2	3150V _{dc}

④Terminal code

Code	Terminal
U	Tin plated copper clad steel wire
V	Tin plated copper wire

⑤Rated capacitance code

Unit of capacitance with (pF), and a sign of capacitance expresses it in 3 characters.
significant digit (two columns) + index (one column) unit : pF
(Example 1μF[1000000pF]="105")

⑥Capacitance tolerance code

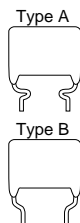
Code	Tolerance
H	±3%
J	±5%
K	±10%

⑦Pitch code

Code	Dimensions	Code	Dimensions	Code	Dimensions	Code	Dimensions
A	5.0	J	37.5	S	Special	0	16.5
B	7.5	K	18.5	T	42.5	1	21.5
C	10.0	L	33.5	U	52.5	2	26.5
D	15.0	M	23.5	V	3.5	3	31.5
E	22.5	N	20.0	W	47.5	4	41.5
F	27.5	P	25.0	Y	55.0		
G	12.5	Q	30.0	Z	Other		
H	17.5	R	32.5				

⑧Code1(Bulk or Taping)

Code	Code1
A	Straight Lead
E	Straight Lead (Cutting)
F	Lead forming (Type A, the same ^⑦ as ^⑨)
G	Lead forming (Type A, else)
L	Lead forming (Type B)
T	Taping (Lead pitch 5mm)
W	Taping (Lead pitch 7.5mm)



⑨Code2(Bulk : Lead spacing, Taping : Lead style)

(1)Bulk Package (Lead spacing)
See attached the "⑦pitch".

(2)Taping (Lead Style)

Code	Code2
E	Straight Lead
F	Lead forming (Type A)
L	Lead forming (Type B)

⑩Code3(Bulk : Lead length, Taping : Package style)

(1)Bulk Package (Lead length)
Unit : [⁺¹/₀ mm]

Code	Code3
Z	Standard
A	4.0
B	4.5
C	5.0
D	5.5
E	6.0
F	10.0

(2)Taping (Package style)

Code	Code3
A	Ammo Packing

⑪Supplement code

Code	Supplement
0	Standard